

4

3

2

1

I

H

G

F

E

D

C

B

A

4

3

2

1

I

H

G

F

E

D

C

B

A

4

3

2

1

I

H

G

F

E

D

C

B

A

4

3

2

1

I

H

G

F

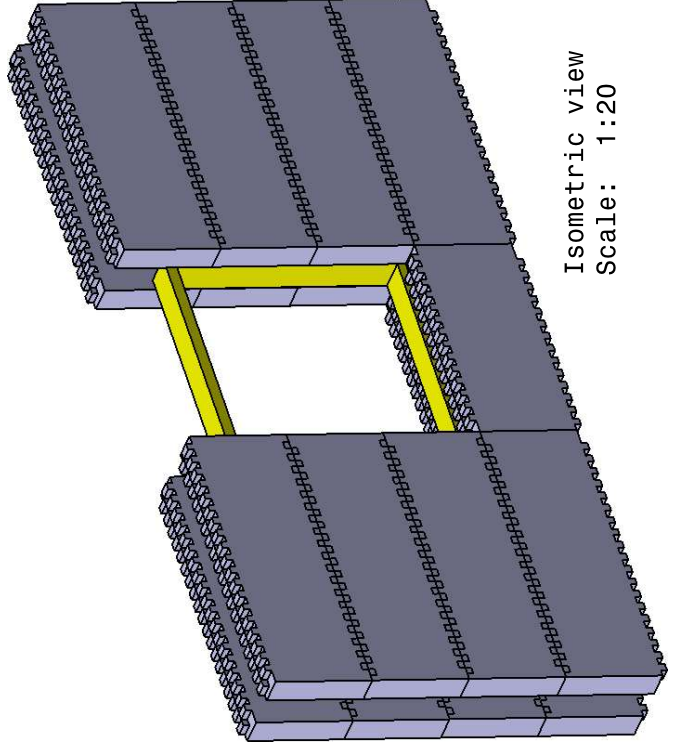
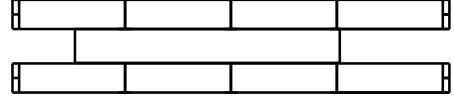
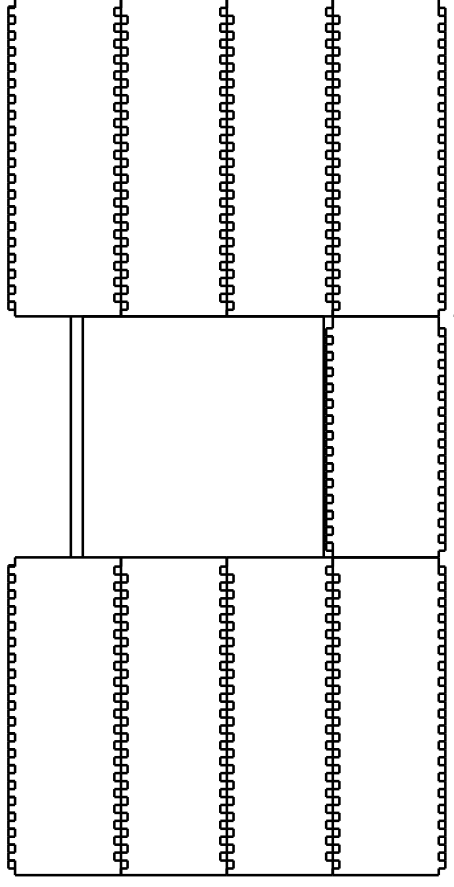
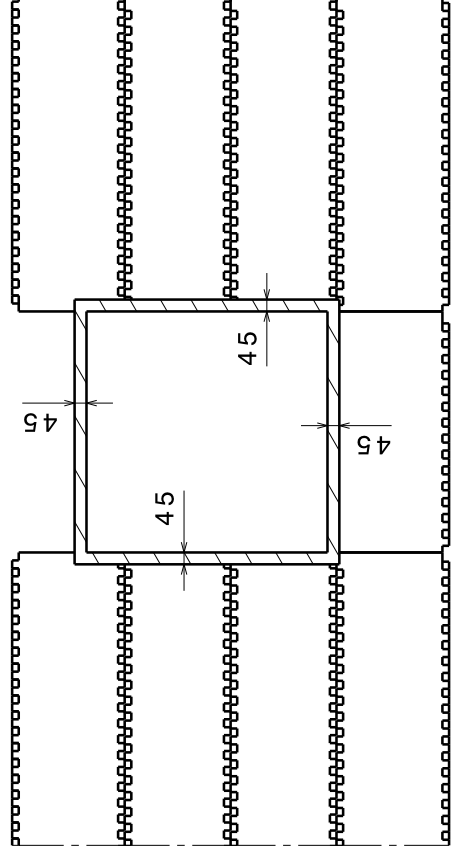
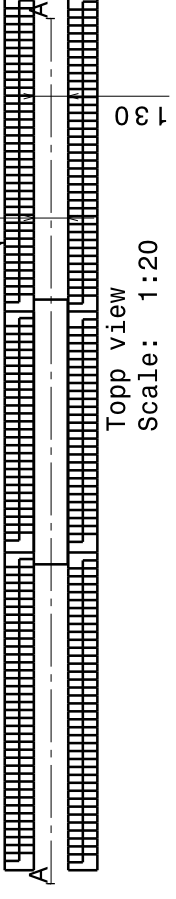
E

D

C

B

A



DESIGNED BY: M. Zeidan		SIZE A3	WEIGHT (kg) XXX	DRAWING NUMBER XXX	SHEET 1/1
DATE: 23/02/2022		SCALE 1:1	XXX	XXX	XXX
CHECKED BY: XXX		DATE: XXX	This drawing is our property; it can't be reproduced or communicated without our written agreement.		
<h1>CELLWALL MED RAM</h1>		<h2>DASSAULT SYSTEMES</h2>			
I	-	H	-	G	-
F	-	E	-	D	-
C	-	B	-	A	-